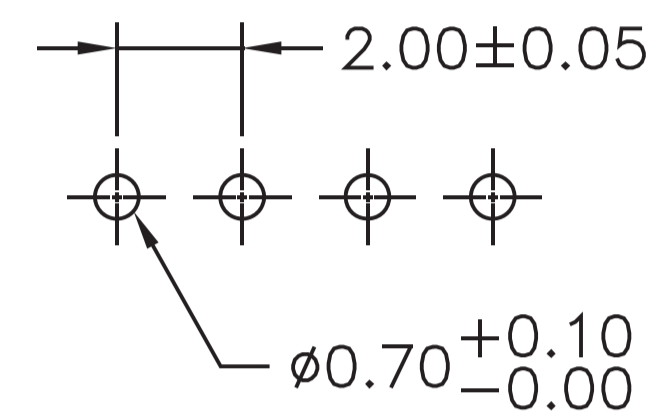
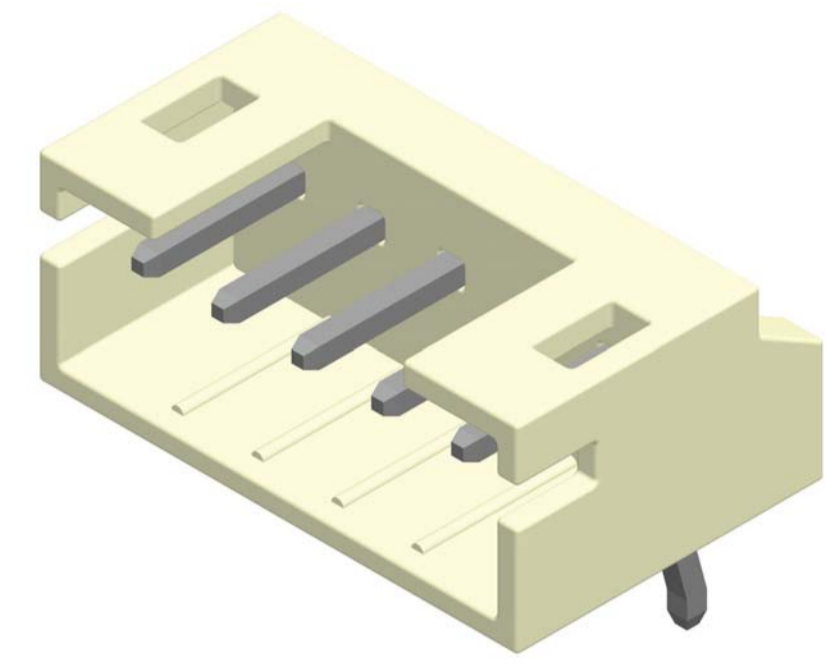
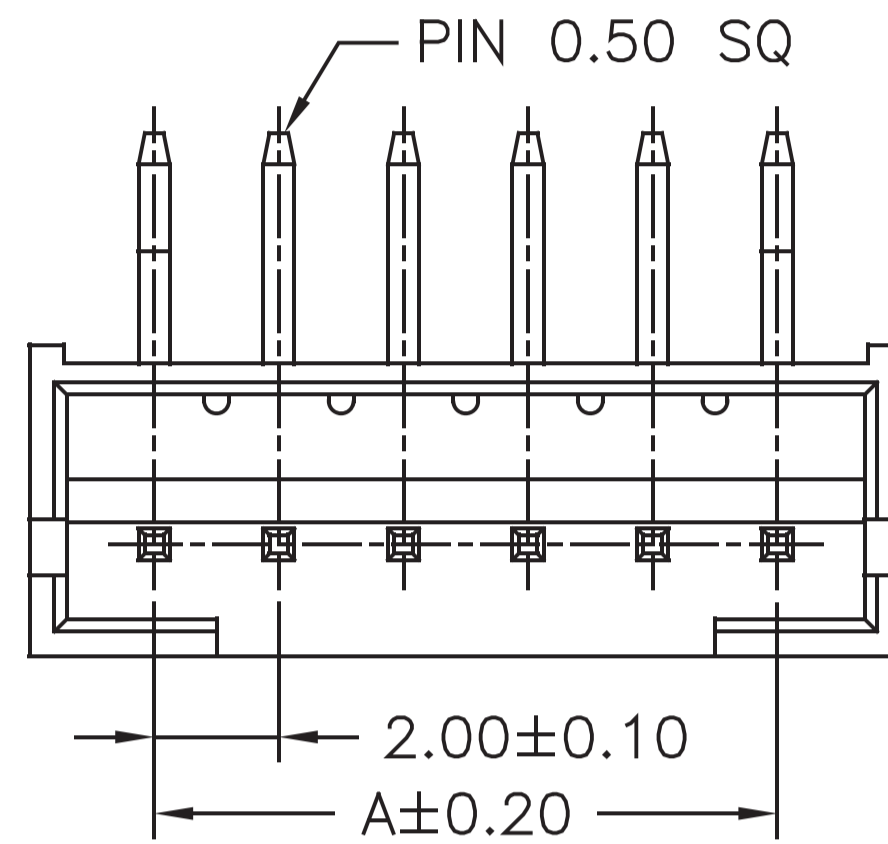


2.0mm Wafer Right Angle / Straight Type

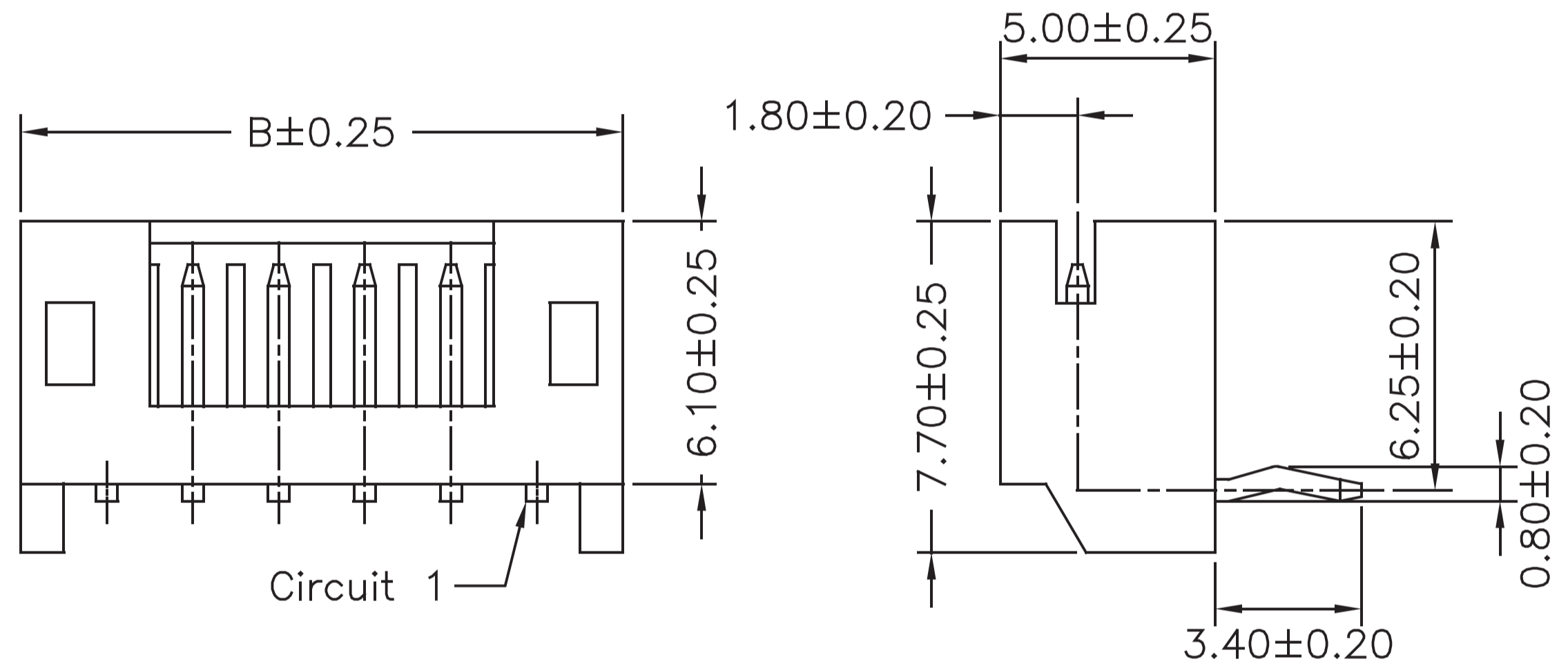
SPECIFICATIONS

Current Rating: 2A AC,DC
 Voltage Rating: 100V AC,DC
 Temperature Range: -25°C ~ +85°C
 Contact Resistance: 10mΩ Max.
 Insulation Resistance: 1000MΩ Min.
 Withstanding Voltage: 800V AC/minute
 Pin Material: Brass/Tin-plated
 Material: Nylon 66,UL94V-0
 Color: Natural(White)

PART NO.	Dimensions	
	A	B
2001R-02TW-L	2.00	6.00
2001R-03TW-L	4.00	8.00
2001R-04TW-L	6.00	10.00
2001R-05TW-L	8.00	12.00
2001R-06TW-L	10.00	14.00
2001R-07TW-L	12.00	16.00
2001R-08TW-L	14.00	18.00
2001R-09TW-L	16.00	20.00
2001R-10TW-L	18.00	22.00
2001R-11TW-L	20.00	24.00
2001R-12TW-L	22.00	26.00
2001R-13TW-L	24.00	28.00
2001R-14TW-L	26.00	30.00
2001R-15TW-L	28.00	32.00
2001R-16TW-L	30.00	34.00



P.C.B. LAYOUT



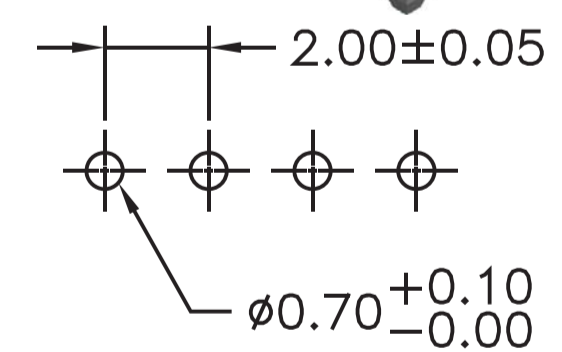
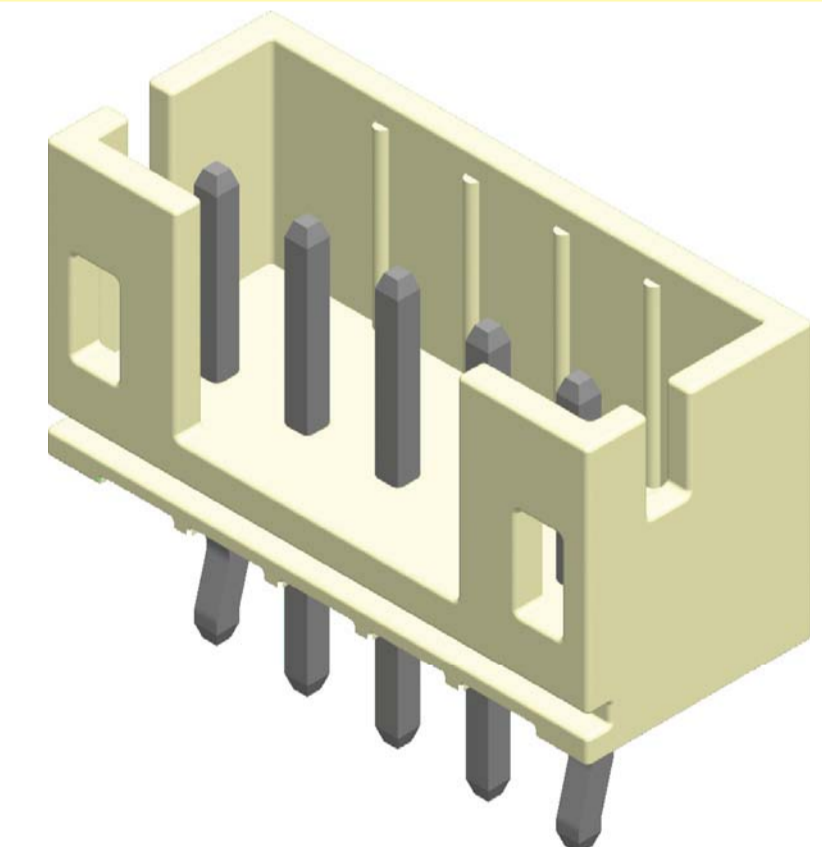
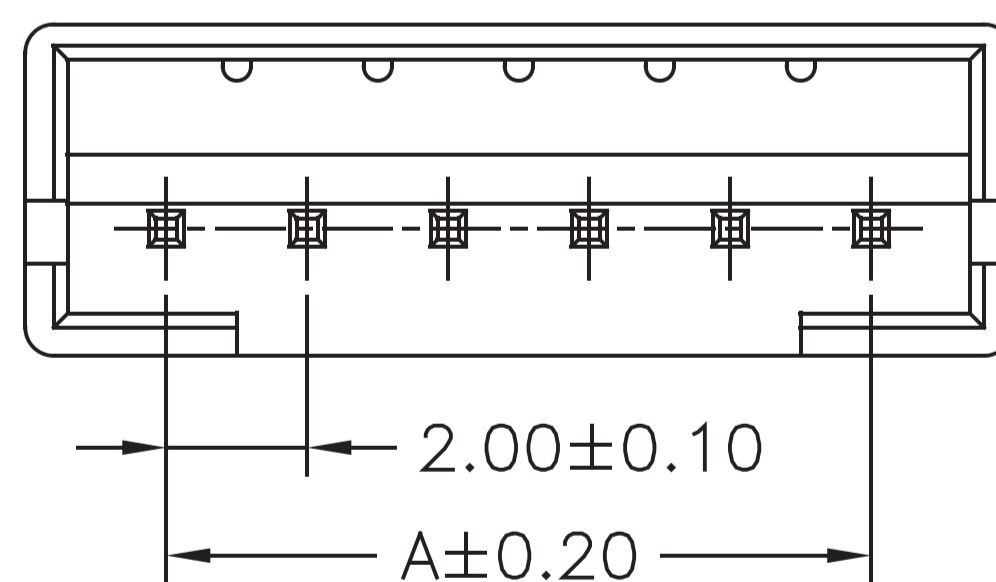
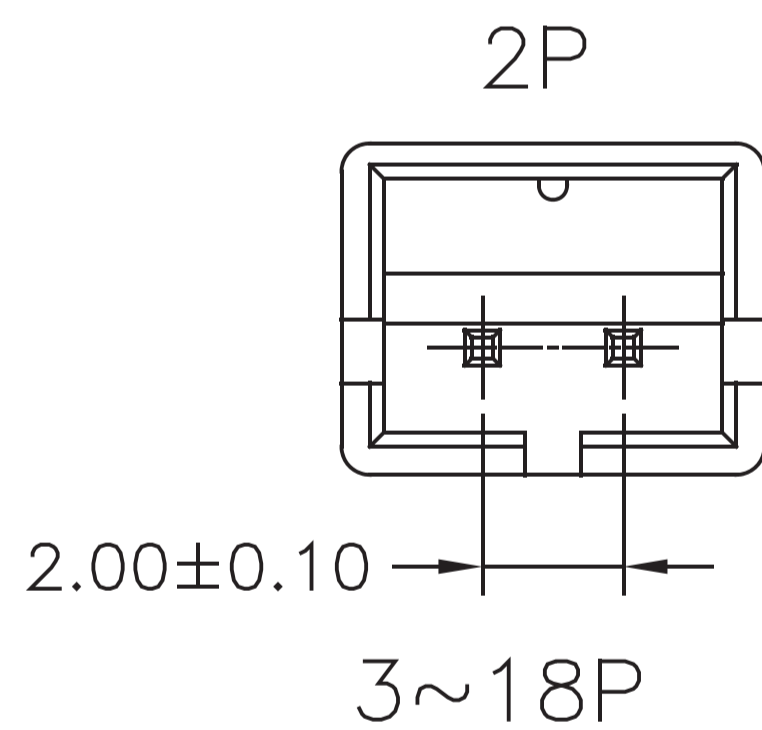
Circuit 1

Part No.:2001R-XXTW-L

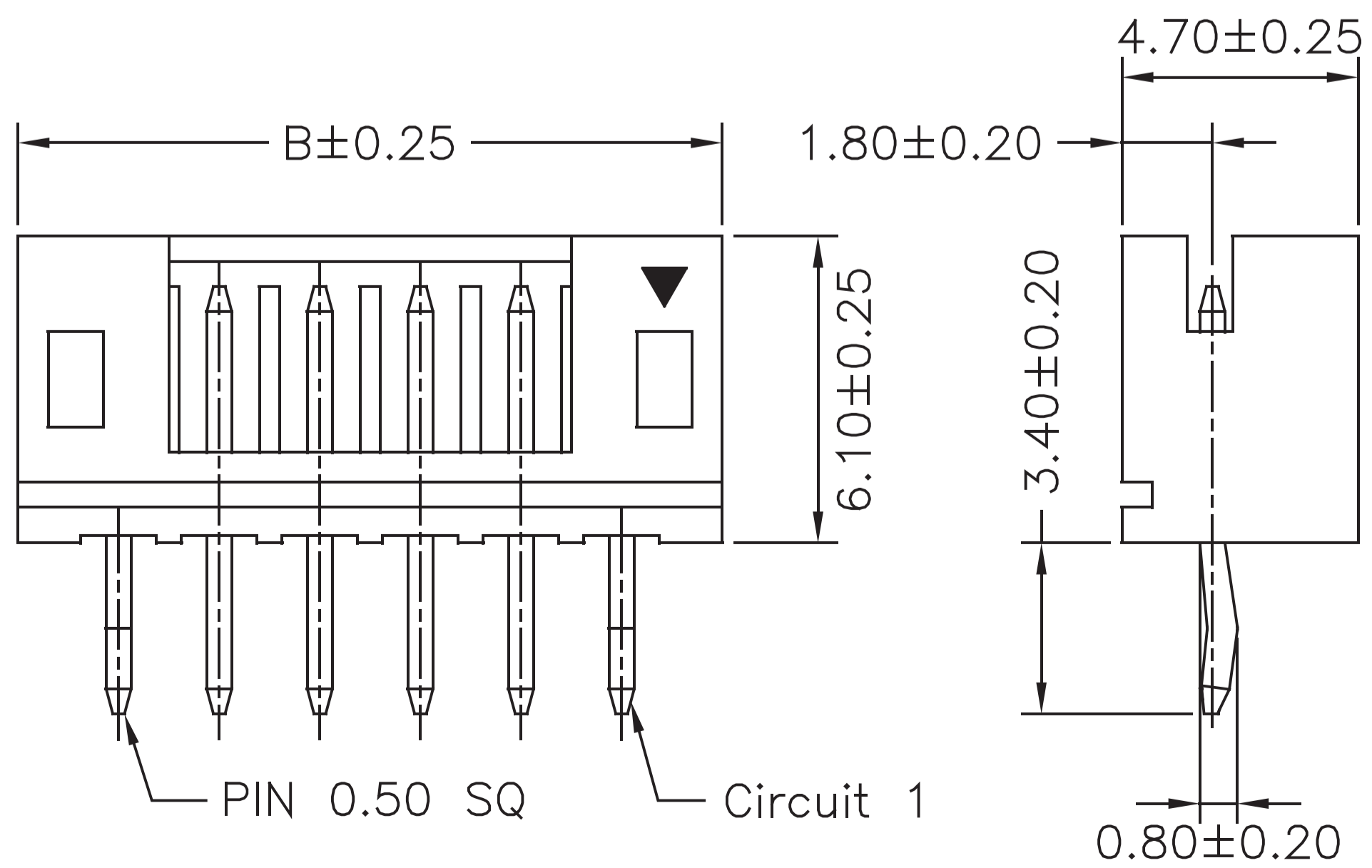
SPECIFICATIONS

Current Rating: 2A AC,DC
 Voltage Rating: 100V AC,DC
 Temperature Range: -25°C ~ +85°C
 Contact Resistance: 10mΩ Max.
 Insulation Resistance: 1000MΩ Min.
 Withstanding Voltage: 800V AC/minute
 Pin Material: Brass/Tin-plated
 Material: Nylon 66,UL94V-0
 Color: Natural(White)

PART NO.	Dimensions	
	A	B
2001S-02TW-L	2.00	6.00
2001S-03TW-L	4.00	8.00
2001S-04TW-L	6.00	10.00
2001S-05TW-L	8.00	12.00
2001S-06TW-L	10.00	14.00
2001S-07TW-L	12.00	16.00
2001S-08TW-L	14.00	18.00
2001S-09TW-L	16.00	20.00
2001S-10TW-L	18.00	22.00
2001S-11TW-L	20.00	24.00
2001S-12TW-L	22.00	26.00
2001S-13TW-L	24.00	28.00
2001S-14TW-L	26.00	30.00
2001S-15TW-L	28.00	32.00
2001S-16TW-L	30.00	34.00
2001S-17TW-L	32.00	36.00
2001S-18TW-L	34.00	38.00



P.C.B. LAYOUT



Circuit 1

Part No.:2001S-XXTW-L